

Jesus answered Pilate ...

First write all of the 1's in order on the lines.  
Then, return to the beginning and write all of the 2's.  
Then, return to the beginning again and write all of the 3's.

You 1	fact 2	I 3	are 1	for 2	came 3	right 1	this 2	into 3	in 1
reason 2	the 3	saying 1	I 2	world 3	I 1	was 2	to 3	am 1	born 2
testify 3	a 1	and 2	to 3	King 1	for 2	the 3	In 1	this 2	truth. 3

“ \_\_\_\_\_  
 \_\_\_\_\_,  
 \_\_\_\_\_,  
 \_\_\_\_\_,  
 \_\_\_\_\_.”



Ages 7-12

November 22, 2015 • John 18:33-37

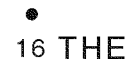
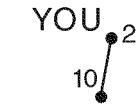
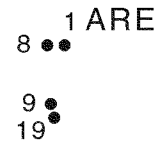
# Pilate Questions Jesus

Pilate summoned Jesus and asked Him a question.



Connect the dots and write the words in order on the blanks below.

THE 5 ●



“ \_\_\_\_\_ ?”

## Saint Stephen's Episcopal Church

128 Chester Pike, Norwood, PA 19074  
Office: 610-461-0490  
Preschool: 610-237-1043  
Pastoral Emergency: 610-996-0657

The Rev. F. Michael Knight  
Priest-in-Charge  
[michaelknight@sstephen.org](mailto:michaelknight@sstephen.org)  
[www.sstephen.org](http://www.sstephen.org)

Use the code to find these words of Jesus.

A B C D E F G H I J K L M N O P Q R S T U V W X Y Z  
 1 2 3 4 5 6 7 8 9 10 11 12 13 14 15 16 17 18 19 20 21 22 23 24 25 26

“  
 13 25 11 9 14 7 4 15 13 9 19

14 15 20 15 6 20 8 9 19

23 15 18 12 4 ... 13 25

11 9 14 7 4 15 13

9 19 6 18 15 13

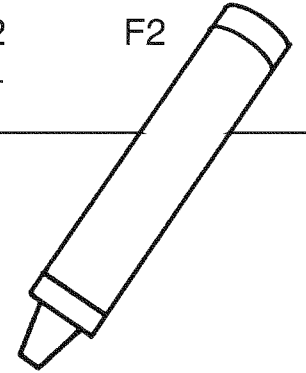
1 14 15 20 8 5 18

16 12 1 3 5”



Color these spaces to find what Pilate said to Jesus.

A1 E1 F1 D2 F2  
 A3 B3 A4 F4



1	B	Y	O	U	O	Y
2	A	R	E	T	A	S
3	J	O	K	I	N	G
4	B	T	H	E	N	T
	A	B	C	D	E	F

